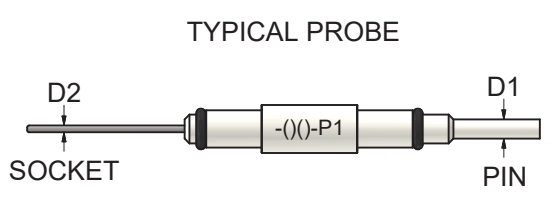
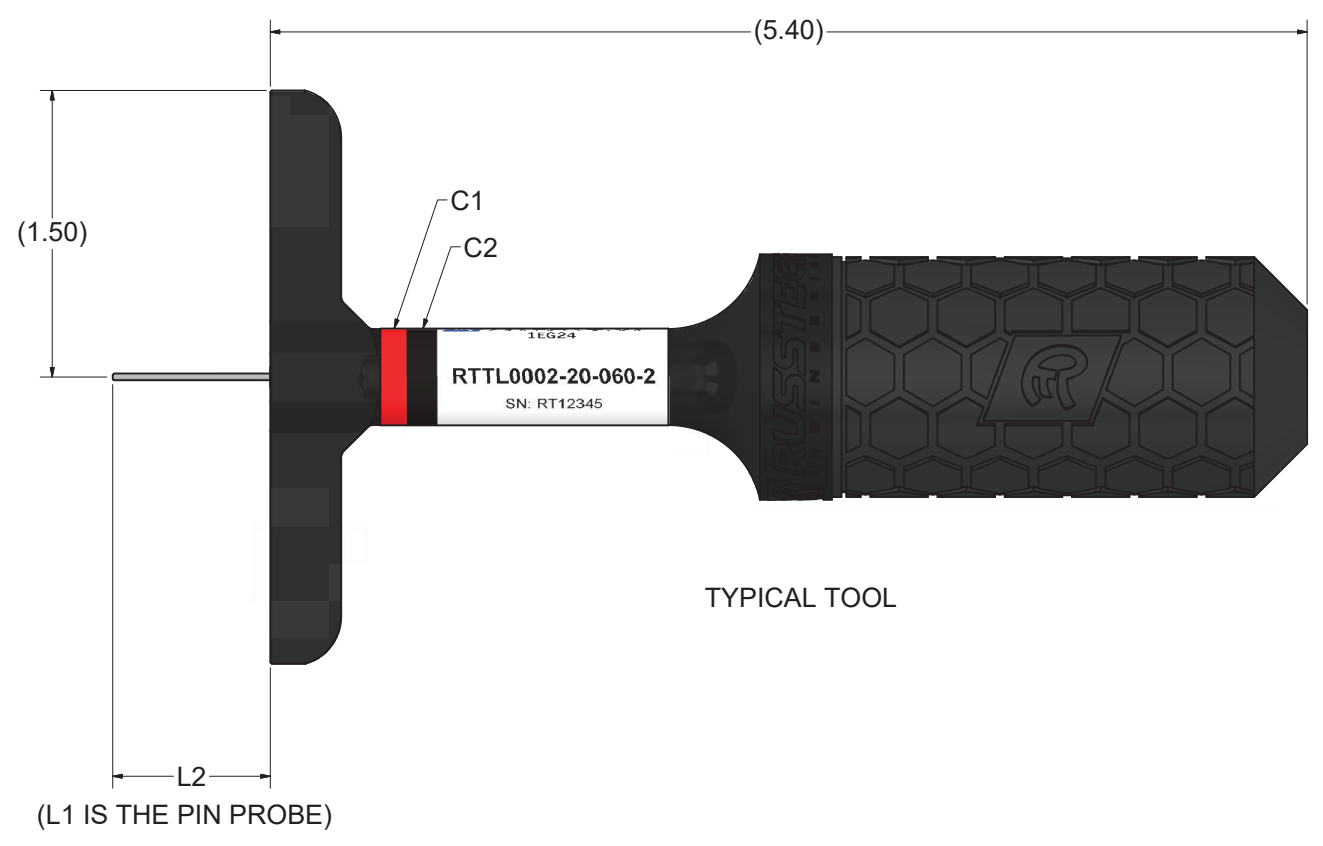


CONFIDENTIAL INFORMATION: THIS DOCUMENT AND CONTAINED INFORMATION ARE THE PROPERTY OF RUSSTECH ENGINEERING COMPANY, INC. THE RECIPIENT, BY RECEIPT AND RETENTION HEREOF, ACKNOWLEDGES THAT THE INFORMATION RECEIVED IS CONFIDENTIAL, DEVELOPED OVER TIME AT SIGNIFICANT EXPENSE, AND THAT DISCLOSURE THEREOF TO THIRD PARTIES WILL CAUSE IRREPARABLE HARM TO RUSSTECH. THE RECIPIENT, BY THE RECEIPT AND RETENTION OF SUCH INFORMATION, AGREES TO MAINTAIN SUCH INFORMATION IN CONFIDENCE, TO NOT DISCLOSE IT TO THIRD PARTIES, AND TO RETURN IT, AND ALL COPIES OR DERIVATIVES THEREOF, IN ANY FORM, TO RUSSTECH, UPON REQUEST.

REVISION HISTORY					
ZONE	REV	DESCRIPTION	CHECKED BY	DATE	APPROVED BY
--	A	INITIAL RELEASE.	--	--	--



- NOTES:**
- DIMENSIONS APPLY AFTER FINISH
 - PACKAGE TO PREVENT DAMAGE
 - IDENTIFY AS SHOWN
 - DASH NUMBER FORMAT:
 RTTL0002-XXXX-YYY-Z
 WINGSTOP STYLE
 FORCE SETTING
 INCLUDED PROBE
 EXAMPLE: RTTL0002-20L-060-2
 2-WAY WINGSTOP
 6.0 LBS ± 0.5 LBS
 RTCRT-20L PROBE

TABLE 1
PART NUMBER TABLE

PART NO	PROBE PN	FORCE	TOLERANCE	L1	L2	D1	D2	C1	C2	NOTES
RTTL0002-24-035-2	RTCRT-24P1	3.5 LBS.	±0.5 LBS.	0.30	0.47	0.100	0.016	ORANGE	PURPLE	
RTTL0002-23SL-035-2	RTCRT-23SLP1	3.5 LBS.	±0.5 LBS.	0.55	0.47	0.100	0.022	PURPLE	PURPLE	
RTTL0002-22-045-2	RTCRT-22P1	4.5 LBS.	±0.5 LBS.	0.30	0.47	0.100	0.024	GREEN	GREEN	
RTTL0002-22L-045-2	RTCRT-22LP1	4.5 LBS.	±0.5 LBS.	0.55	0.47	0.100	0.024	GREEN	GREEN	
RTTL0002-22RP-045-2	RTCRT-22RPP1	4.5 LBS.	±0.5 LBS.	0.48	0.65	0.057-0.053	0.024	GREEN	GREEN	
RTTL0002-22P4-045-2	RTCRT-22P4P1	4.5 LBS.	±0.5 LBS.	0.87	0.75	0.100	0.024	GREEN	GREEN	MIL-C-38999
RTTL0002-22R4-045-2	RTCRT-22R4P1	4.5 LBS.	±0.5 LBS.	0.55	0.47	0.100	0.024	GREEN	GREEN	SERIES 4 ONLY
RTTL0002-22K-050-2	N/A	5.0 LBS.	±0.5 LBS.	0.30	0.47	0.100	0.024	GREEN	BLUE	RTKT0004-01 KIT
RTTL0002-20-060-2	RTCRT-20P1	6.0 LBS.	±0.5 LBS.	0.40	0.69	0.100	0.035	RED	BLACK	
RTTL0002-20L-060-2	RTCRT-20LP1	6.0 LBS.	±0.5 LBS.	0.87	0.75	0.100	0.035	RED	BLACK	
RTTL0002-20S-060-2	RTCRT-20SP1	6.0 LBS.	±0.5 LBS.	0.30	0.47	0.100	0.035	RED	BLACK	
RTTL0002-20RP-060-2	RTCRT-20RPP1	6.0 LBS.	±0.5 LBS.	0.48	0.65	0.057-0.053	0.035	RED	BLACK	
RTTL0002-20P4-060-2	RTCRT-20P4P1	6.0 LBS.	±0.5 LBS.	0.87	0.75	0.100	0.035	RED	BLACK	MIL-C-38999
RTTL0002-20R4-060-2	RTCRT-20R4P1	6.0 LBS.	±0.5 LBS.	0.55	0.47	0.100	0.035	RED	BLACK	SERIES 4 ONLY
RTTL0002-20K-060-2	N/A	6.0 LBS.	±0.5 LBS.	0.40	0.69	0.100	0.035	RED	BLACK	RTKT0004-01 KIT
RTTL0002-16-060-2	RTCRT-16P1	6.0 LBS.	±0.5 LBS.	0.39	0.69	0.125	0.046	BLUE	BLACK	
RTTL0002-16L-060-2	RTCRT-16LP1	6.0 LBS.	±0.5 LBS.	0.60	0.90	0.125	0.046	BLUE	BLACK	
RTTL0002-16S-060-2	RTCRT-16SP1	6.0 LBS.	±0.5 LBS.	0.30	0.47	0.125	0.046	BLUE	BLACK	
RTTL0002-16P4-060-2	RTCRT-16P4P1	6.0 LBS.	±0.5 LBS.	0.87	0.75	0.125	0.046	BLUE	BLACK	MIL-C-38999
RTTL0002-16R4-060-2	RTCRT-16R4P1	6.0 LBS.	±0.5 LBS.	0.55	0.47	0.125	0.046	BLUE	BLACK	SERIES 4 ONLY
RTTL0002-16K-090-2	N/A	9.0 LBS.	±1.0 LBS.	0.39	0.69	0.125	0.046	BLUE	RED	RTKT0004-01 KIT
RTTL0002-12-060-2	RTCRT-12P1	6.0 LBS.	±0.5 LBS.	0.39	0.80	0.150	0.078	YELLOW	BLACK	
RTTL0002-12L-060-2	RTCRT-12LP1	6.0 LBS.	±0.5 LBS.	0.65	1.15	0.150	0.078	YELLOW	BLACK	
RTTL0002-12S-060-2	RTCRT-12SP1	6.0 LBS.	±0.5 LBS.	0.30	0.48	0.150	0.078	YELLOW	BLACK	
RTTL0002-12P4-060-2	RTCRT-12P4P1	6.0 LBS.	±0.5 LBS.	0.87	0.75	0.150	0.078	YELLOW	BLACK	MIL-C-38999
RTTL0002-12R4-060-2	RTCRT-12R4P1	6.0 LBS.	±0.5 LBS.	0.55	0.48	0.150	0.078	YELLOW	BLACK	SERIES 4 ONLY
RTTL0002-12K-110-2	N/A	11.0 LBS.	±1.0 LBS.	0.39	0.80	0.150	0.078	YELLOW	YELLOW	RTKT0004-01 KIT

TECHNICAL REFERENCE		RUSSTECH ENGINEERING COMPANY, INCORPORATED 4416 RUSSELL ROAD, SUITE A MUKILTEO, WA 98275, USA	
UNLESS OTHERWISE SPECIFIED DIMENSIONS ARE IN DECIMAL INCHES WITH METRIC IN BRACKETS	APPROVALS DRAWN BY: B. LEBSON 11/17/2022		CONTACT RETENTION TEST TOOL
	CHECKED BY: Wm Bryon Duncan 2022.12.13 07:17:52 -08'00'		
TOLERANCES ARE: .X ± 0.1 .XX ± 0.03 .XXX ± 0.010 ANGLES ± 0.5°	ENGINEER: Ben Lebson Digitally signed by Ben Lebson Date: 2022.12.13 09:18:54 -0800		SIZE: D CAGE CODE: 1EG24 DRAWING NUMBER: RTTL0002-S REV: A
	REMOVE ALL BURRS & SHARP EDGES APPROVED BY: Brian Collins Digitally signed by Brian Collins Date: 2022.12.13 09:37:27 -0800		SCALE: 2 : 1 AUTODESK-INVENTOR DEPARTMENT: SALES SHEET: 1/1